

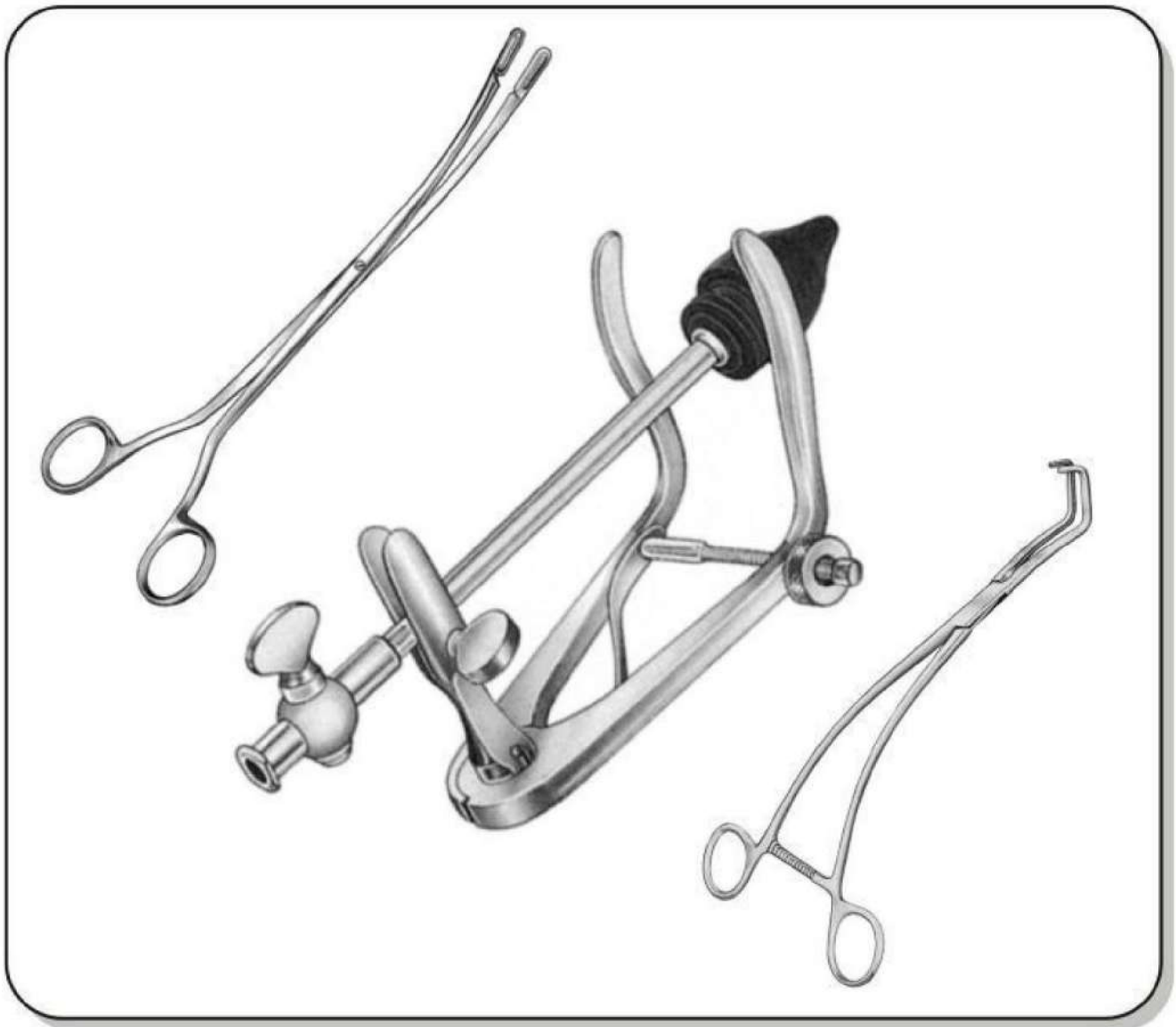


**TUFFRO**

The Mangalm Surgical Co.

# SECTION - 15

## UROLOGY





**BLAKE** ½



**BLAKE** ½



**MAYO-BLAKE** ½



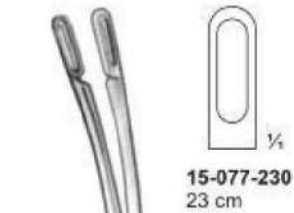
**MAYO-BLAKE** ½



**MIXTER** ½



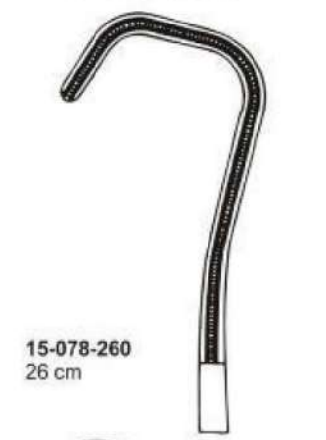
**DESJARDINS** ½

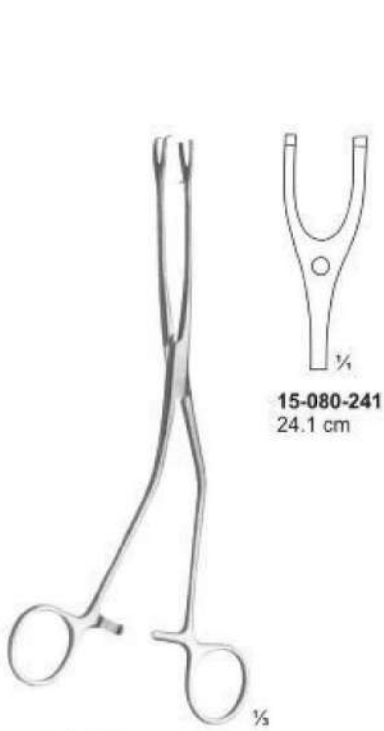


**DESJARDINS** ½



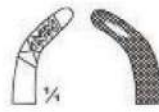
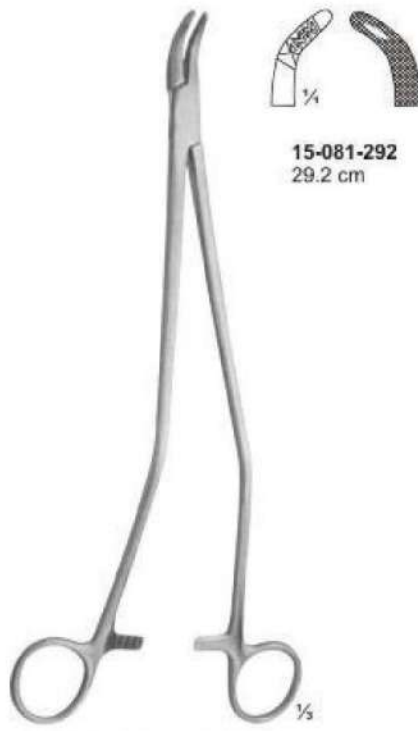
**URO-TANGENTIAL** ½





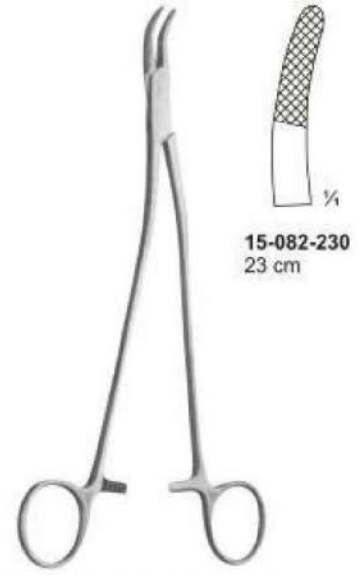
15-080-241  
24.1 cm

**HARRIS**  
Angled Suture



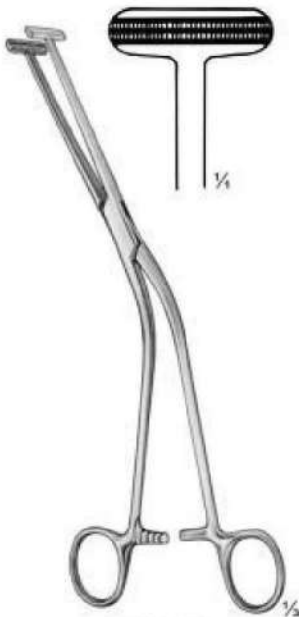
15-081-292  
29.2 cm

**JOHNSON PROSTATIC**  
NEEDLE HOLDER

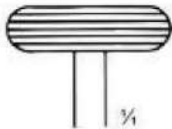


15-082-230  
23 cm

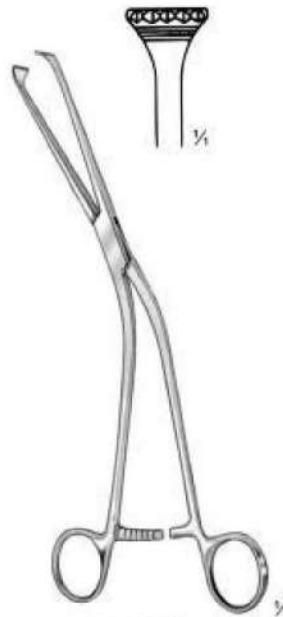
**STRATTE NEEDLE HOLDER**



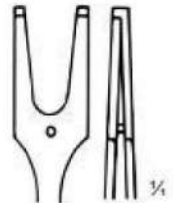
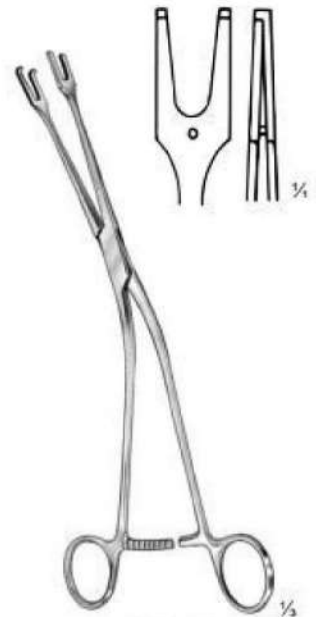
**MILLIN**  
15-083-240  
24 cm



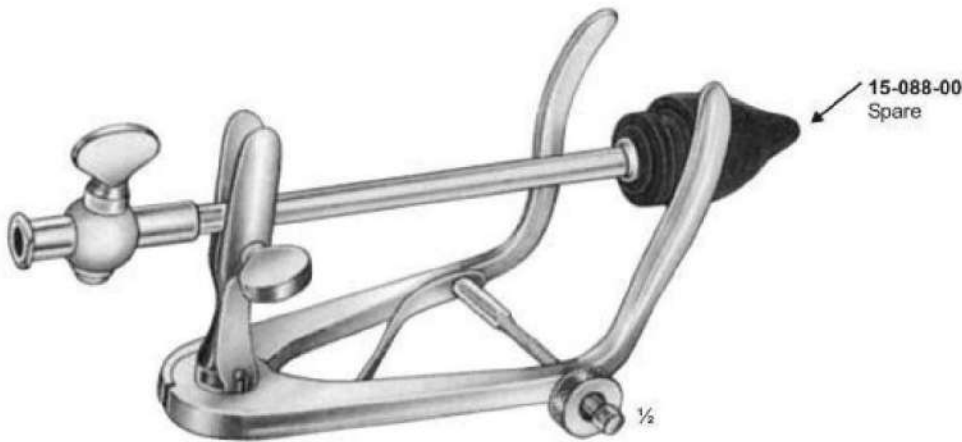
**MILLIN**  
15-084-230  
23 cm



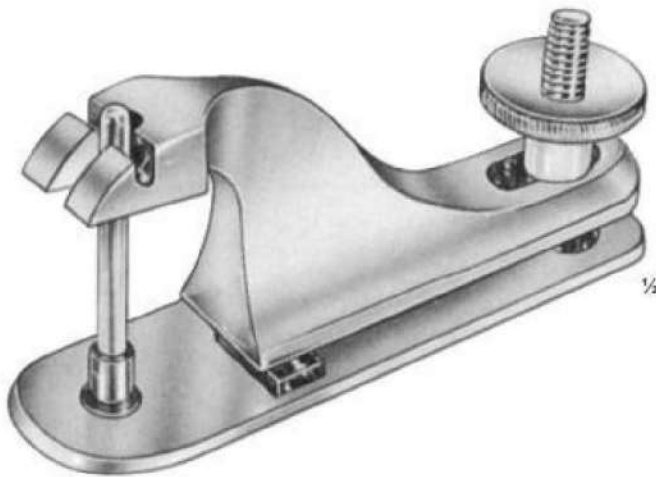
**MILLIN**  
15-085-230  
23 cm



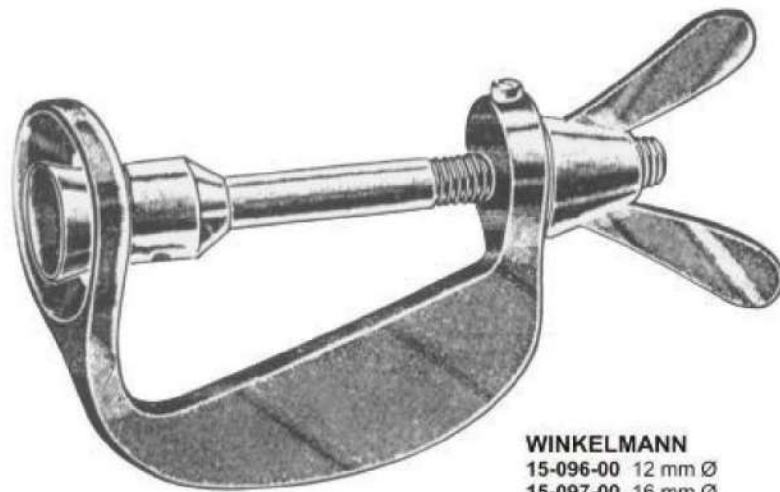
**MILLIN**  
15-086-230  
23 cm



**KNUTSON**  
15-087-180  
18 cm  
Urethrographie-Instruments



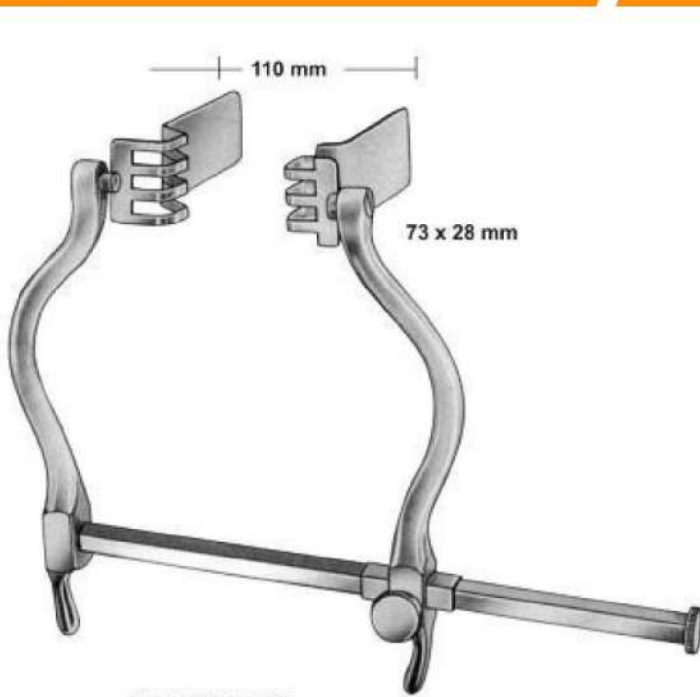
- | mm ø |           |
|------|-----------|
| 8    | 15-089-00 |
| 11   | 15-090-00 |
| 13   | 15-091-00 |
| 16   | 15-092-00 |
| 21   | 15-093-00 |
| 26   | 15-094-00 |
| 32   | 15-095-00 |



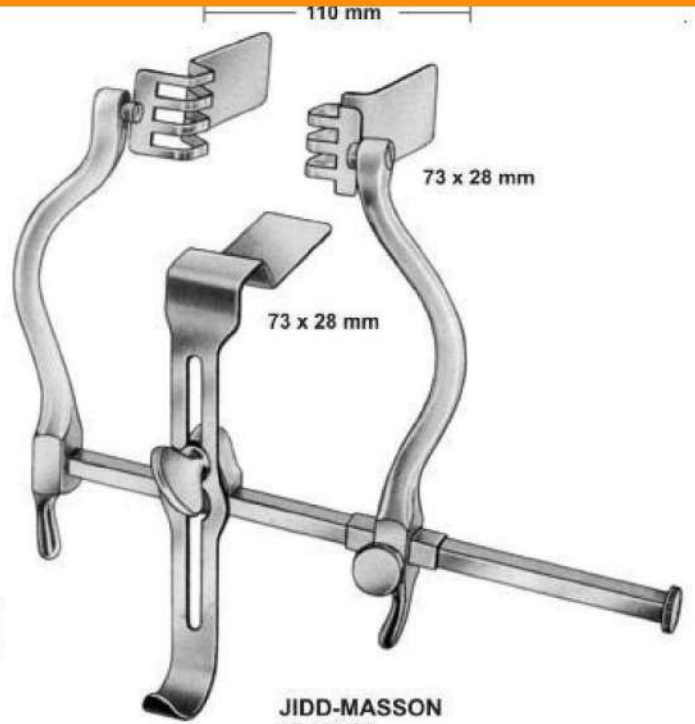
**WINKELMANN**  
15-096-00 12 mm Ø  
15-097-00 16 mm Ø  
15-098-00 20 mm Ø  
Circumcision clamps



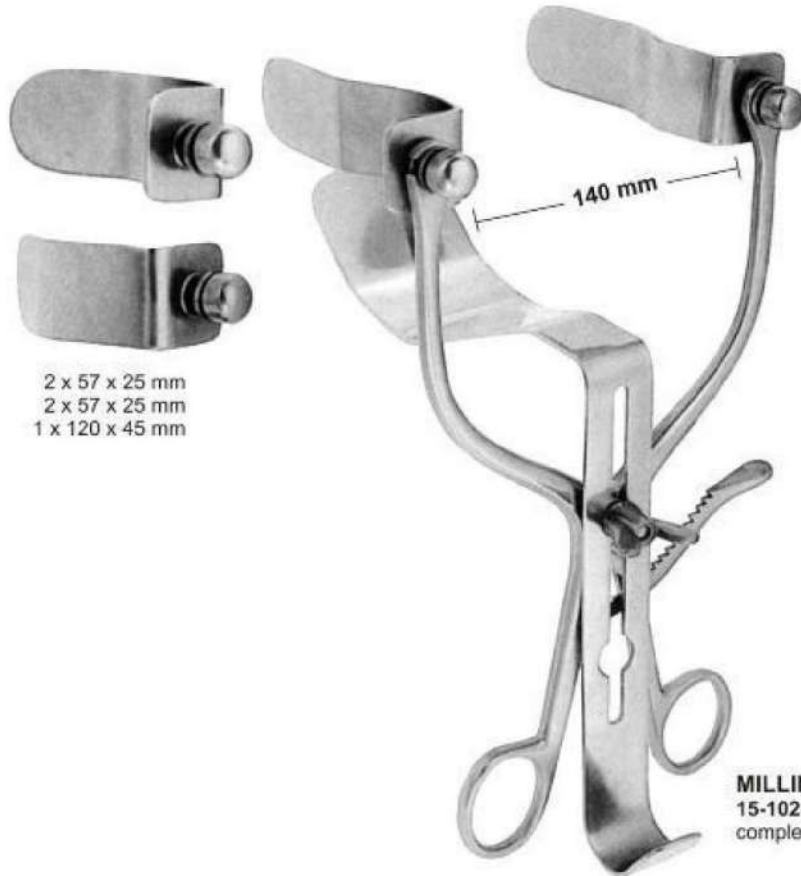
**MILLIN**  
15-099-280  
28 cm



**JIDD-MASSON**  
15-100-00



**JIDD-MASSON**  
15-101-00



**MILLIN**  
15-102-00  
complete



**LEGUEU**  
15-103-170  
17 cm